

Religa

DESIGNER:

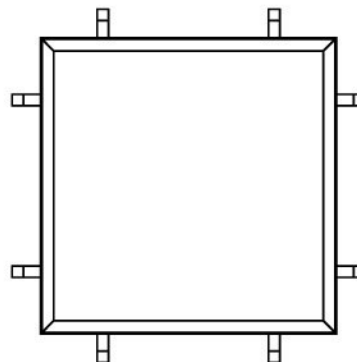
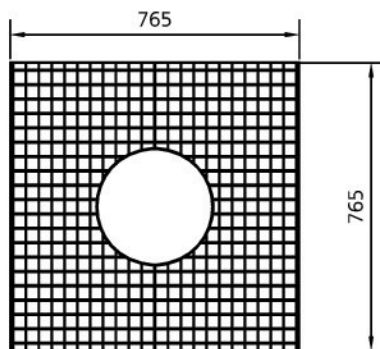
MANUFACTURER: © Fundicio Ductil Benito

DIMENSIONS: mm

SCALE: 1/20

A83

REFERENCE



Material: Electrowelt mesh (30x30).

Presentation: 1/2

Finishing: Hot dip galvanised.

Inner diameter: Ø 300mm (other dimensions in option).

Other suitable applications: footbridges, skylights, footways, fences

Optional: Angular metal frame (A80M, A81M, A82M, A83M, A84M, A85M, A86M, A87M)

Religa

DESIGNER:

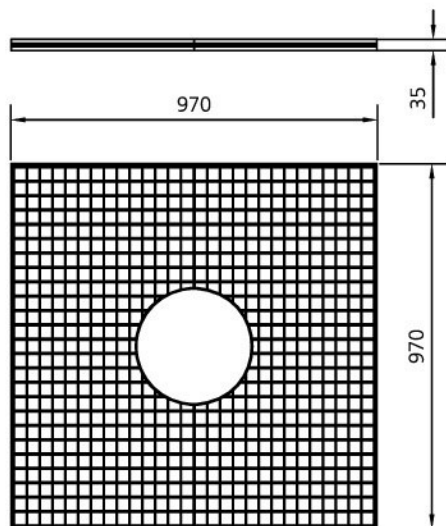
MANUFACTURER: © Fundicio Ductil Benito

DIMENSIONS: mm

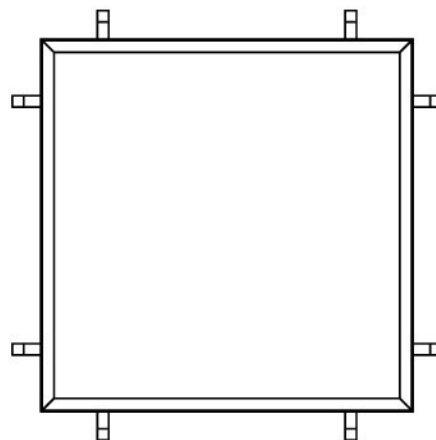
SCALE: 1/20

A85

REFERENCE



OPCIONAL:



Material: Electrowelt mesh (30x30).

Presentation: 1/2

Finishing: Hot dip galvanised.

Inner diameter: Ø 300mm (other dimensions in option).

Other suitable applications: footbridges, skylights, footways, fences

Optional: Angular metal frame (A80M, A81M, A82M, A83M, A84M, A85M, A86M, A87M)