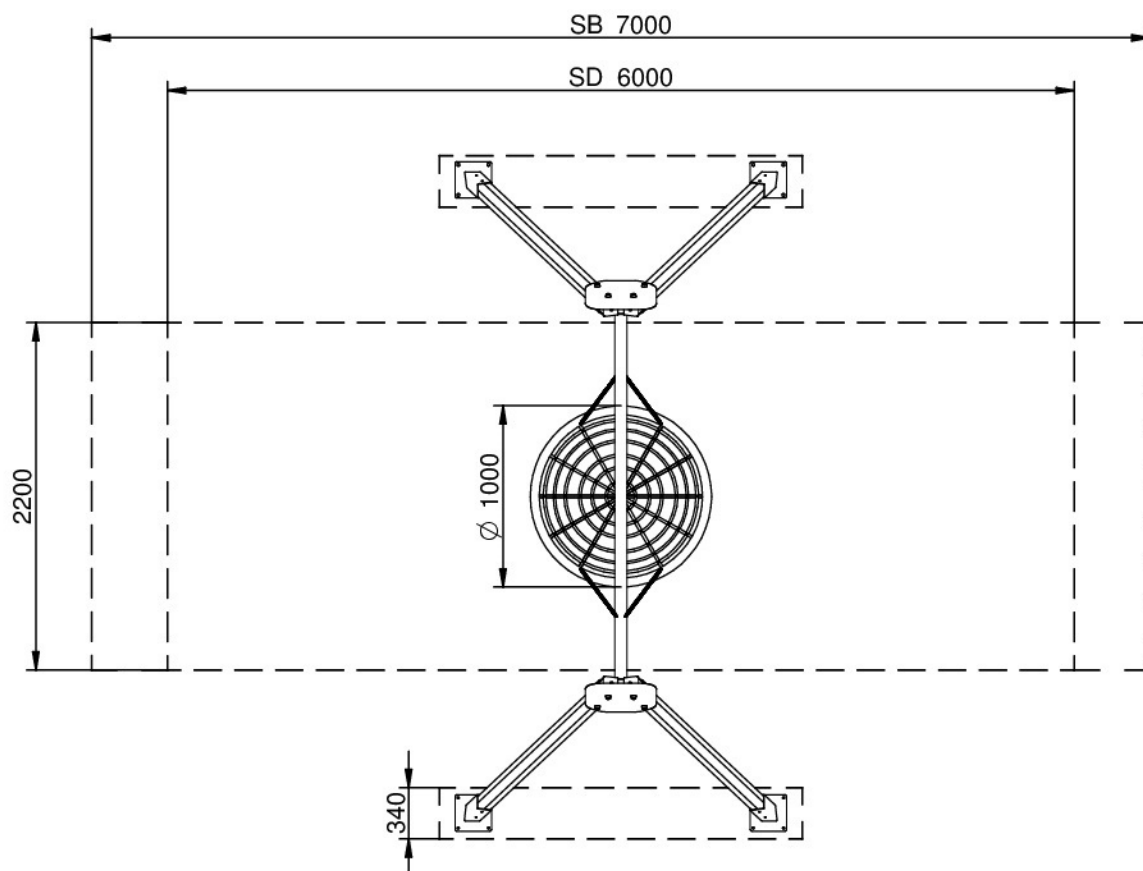
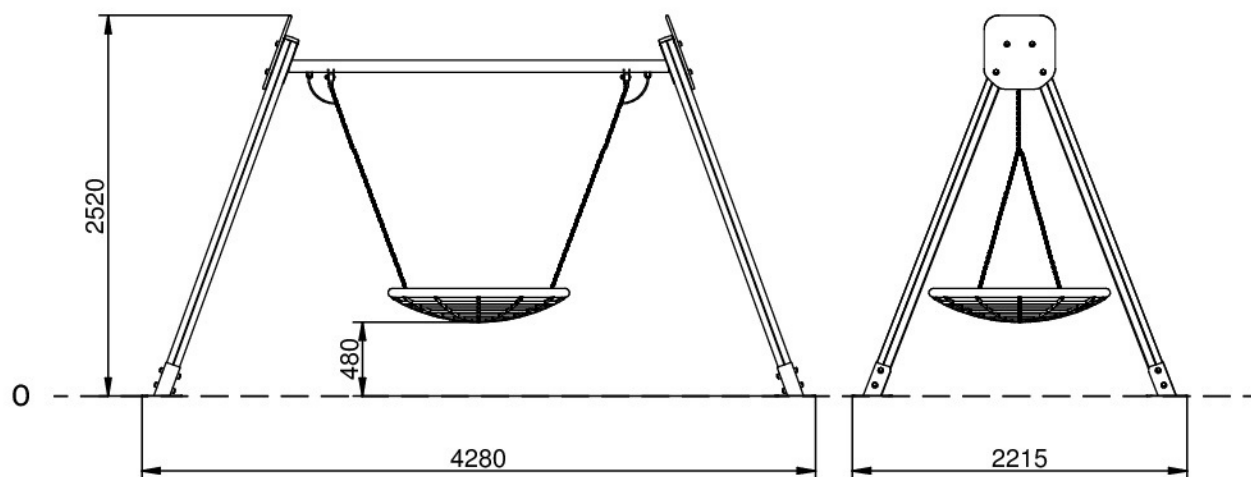


JL16



S= 13,20 m² SD H= 1,32 m
S= 15,40 m² SB H= 1,32 m