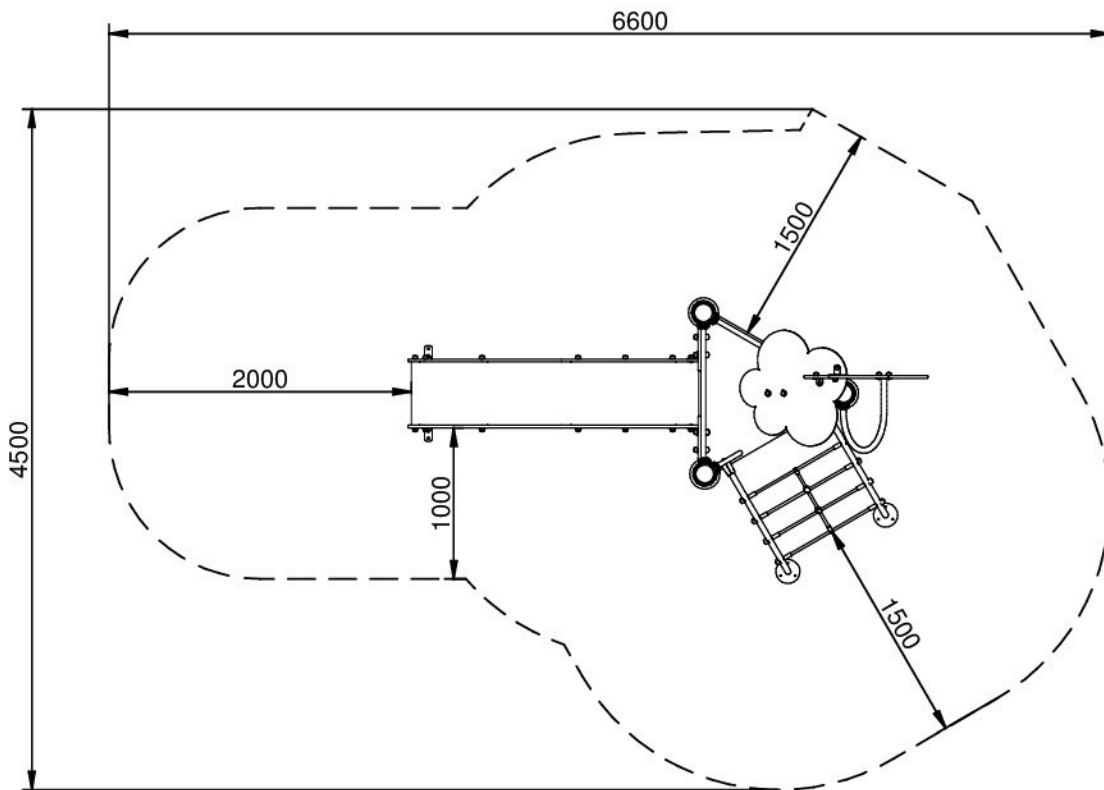
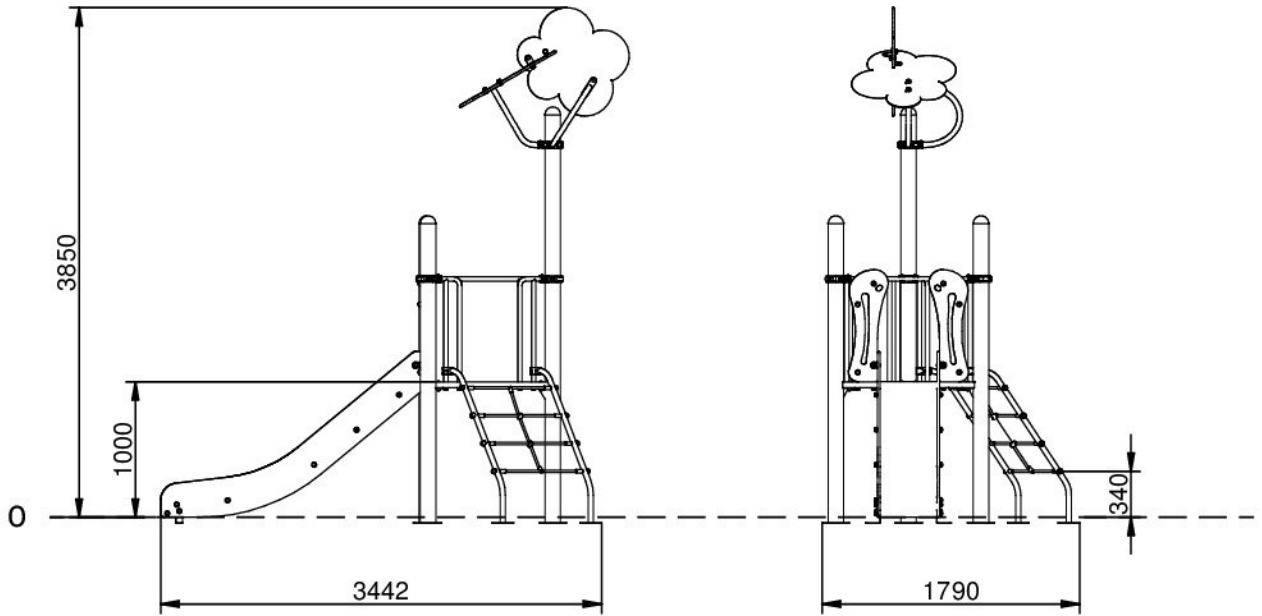


# Metalic 1

JCF17



Stotal = 20,20 m<sup>2</sup> H= 1,00 m