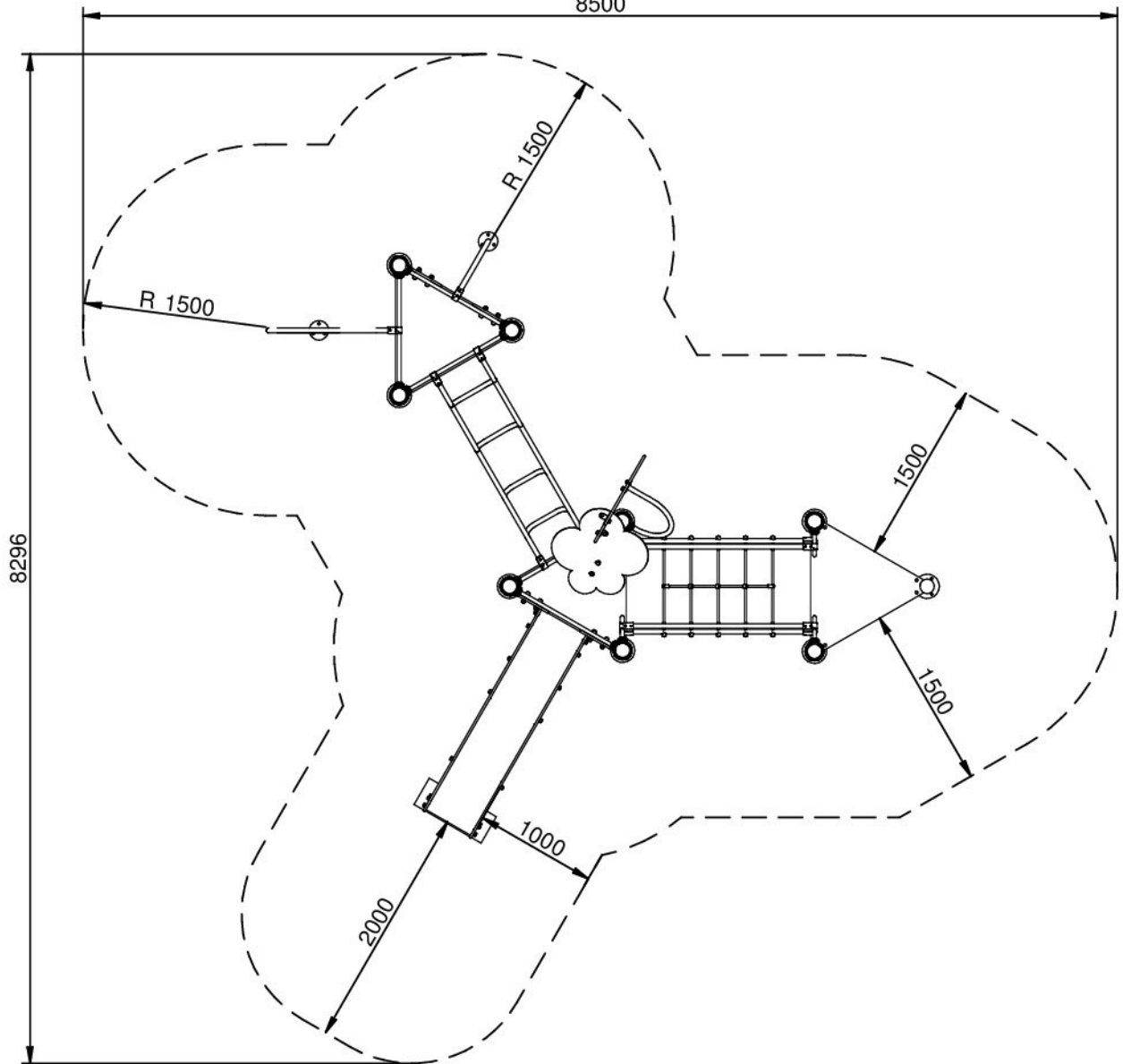
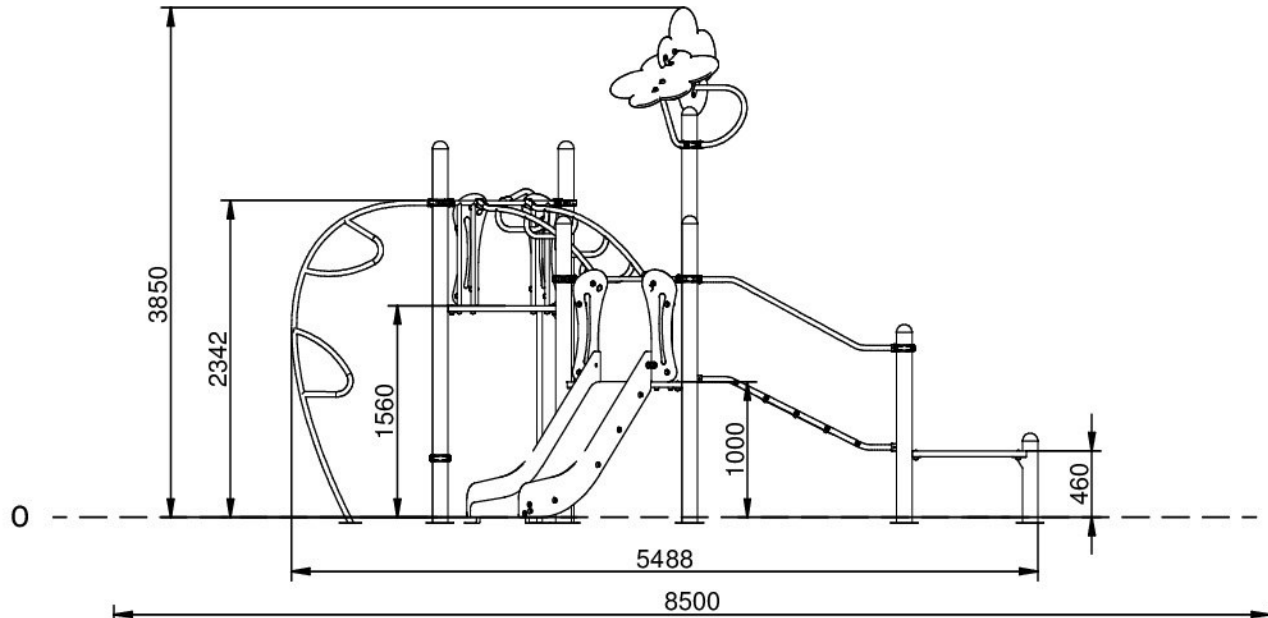


Metalic 4

JCF13



Stotal = 38,76 m² H= 1,56 m