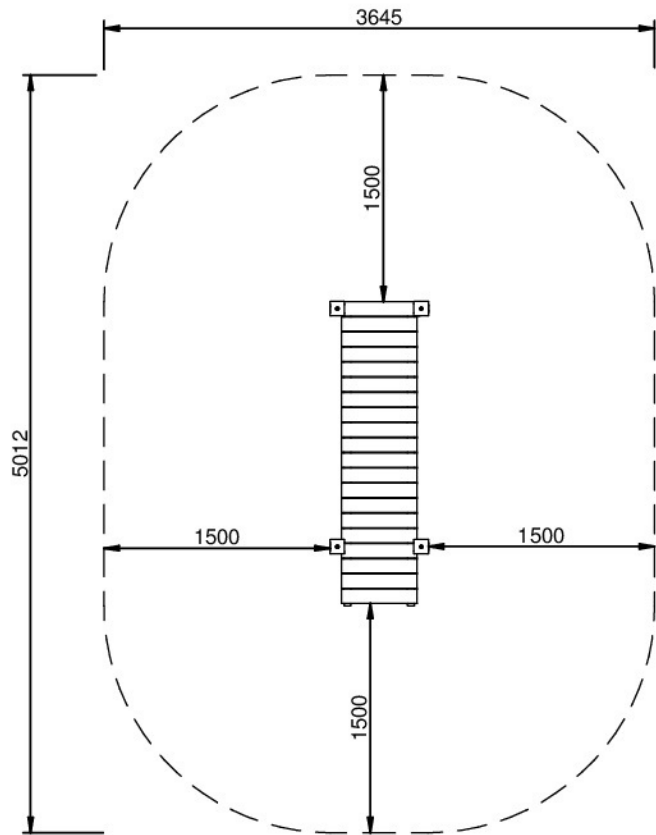


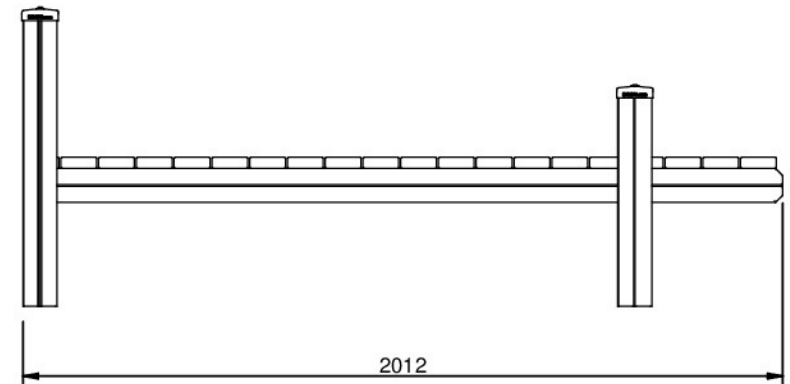
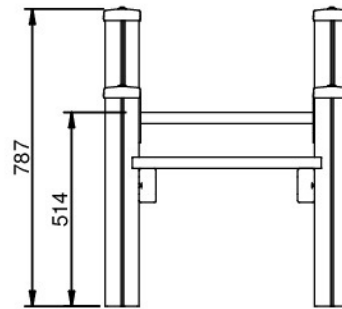
LUMBARES / LUMBAR BENCH / LOMBAIRES / LUMBARES

JCIR05



E 1/50

A = 1,33m²
H = 0,39 m



E 1/20